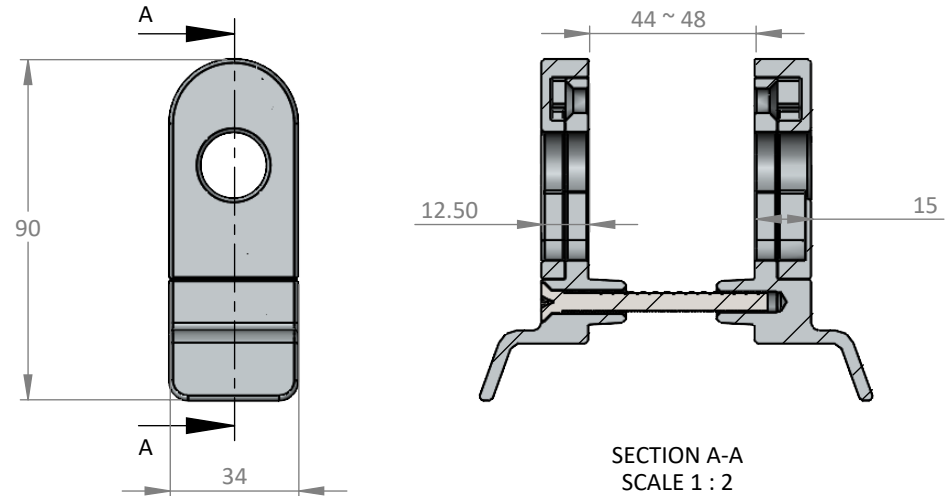


DO NOT SCALE	FIRST ANGLE PROJECTION	ALL DIMENSIONS IN MILLIMETERS
<b>REVISIONS</b>		
REV.	DESCRIPTION	DATE



ITEM NO.	PART NUMBER	DESCRIPTION	QTY.
1	C-9118	External Bottom Section of two part Heritage 34mm wide Escutcheon Pull	1
2	C-9121	Internal Top Section of two part Heritage 34mm Wide Escutcheon Pull	1
3	C-9119	Internal Bottom section of two part Heritage 34mm wide Escutcheon Pul	1
4	C-9120	External Top Section of two part Heritage 34mm Wide Escutcheon Pull	1
5	C-4056	M6 x 60mm Screw (Head to match Handle Finish)	1

Part No.	Description	Finish
9108-04	PAS 24 Heritage Escutcheon Pull Set, Screw to match colour	Chrome
9108-05	PAS 24 Heritage Escutcheon Pull Set, Screw to match colour	Gold PVD
9108-06	PAS 24 Heritage Escutcheon Pull Set, Screw to match colour	Brushed Satin Silver



Part No. **9108 (See Table)**

MATERIAL	304 SS
TREATMENT & FINISH	Various plated options required
WEIGHT	436 Grams
TOLERANCE	+/- 0.10mm Unless Stated

TITLE **description of the part**

DRAWN	SC	<b>A4</b>	DWG NUMBER	<b>FA-9108</b>	ISSUE
DATE	26/11/2020				